



**ACE® Light Source with EKE lamp, A20500**

ACE® Light Source Models		
115 Volt	230 Volt	Description
<b>Standard Light Sources</b>		
<b>A20500</b>	<b>Custom</b>	EKE Lamp
<b>A20500.1</b>	<b>A20510.1</b>	EJA Lamp
<b>A20500.2</b>	<b>A20510.2</b>	DDL Lamp
<b>Light Sources with Iris Diaphragm</b>		
<b>A20520</b>	<b>A20530</b>	EKE Lamp
<b>A20520.1</b>	<b>A20530.1</b>	EJA Lamp
<b>A20520.2</b>	<b>A20530.2</b>	DDL Lamp
<b>Light Source without Modulamp® Unit</b>		
<b>A20500.115</b>	<b>A20510.230</b>	No Lamp Power Supply Only

**EKE, DDL, and EJA lamps and Modulamp® units can be purchased separately.**



**Modulamp® Unit with Iris Diaphragm**

## ACE® Light Source

*Compact, rugged, AC halogen light source with solid state dimmer for variable light intensity and maximizing lamp life.*

### Standard Features

- Solid state dimmer for continuous control zero to full intensity.
- Heavy duty, grounded metal housing.
- 115 or 230 input voltage versions available.
- IR interference filter for cool illumination.
- Full illumination on .60" active diameter input.
- Interchangeable Modulamp® Units offer 2 positions to maximize individual lamp efficiencies.
- Choice of three, 150 watt halogen lamps - EJA, EKE, and DDL for intense, uniform illumination.
- Built-in thermal shut down.
- Quiet rear exhaust.
- CSA approved to UL spec, CE compliant to low voltage and EMC directives.
- Low housing temp - slightly above ambient.
- Detachable IEC cord.

### Options

- Shutter module.
- Private labeling available.
- Infinite setting, twelve blade iris diaphragm version available to reduce intensity while maintaining color temperature.

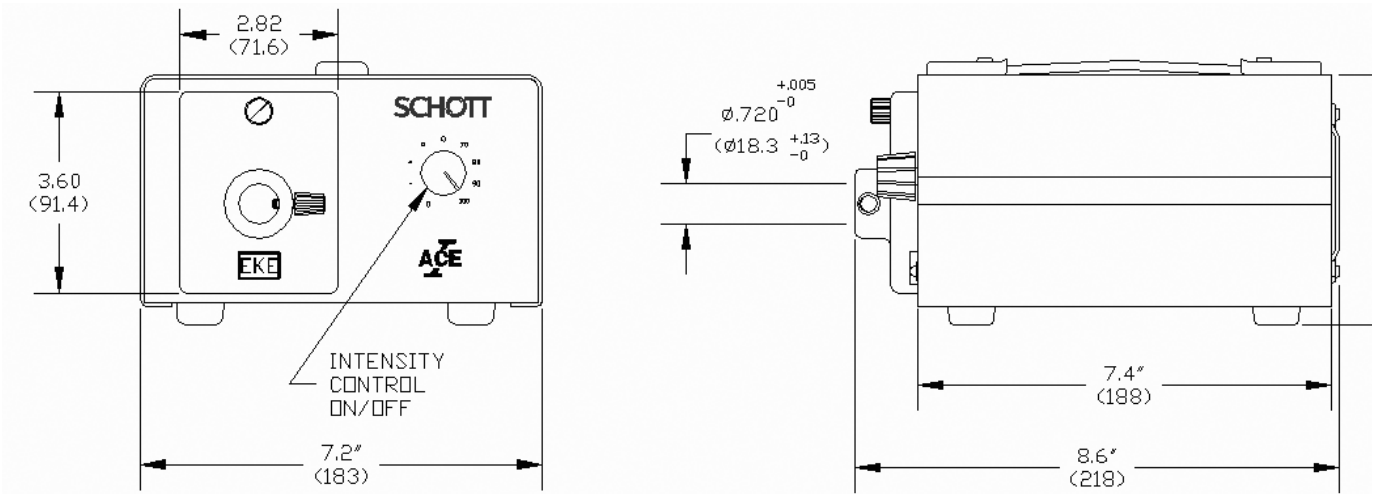
### Power Supply Specifications

Power Consumption	190 Watts (nominal)
Output Voltage	0 - 21 VAC
Fiber Receptacle	.720 (13.3 mm)
Input Voltage	115 VAC / 60 Hz 230 VAC / 50/60 Hz
Temperature Range: Operating	0° to 50°C

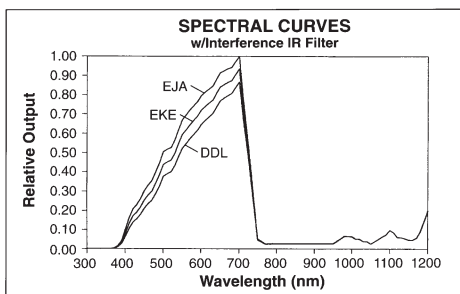
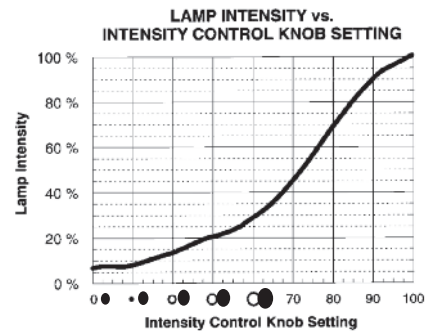
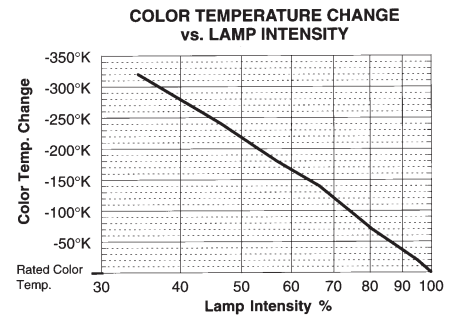
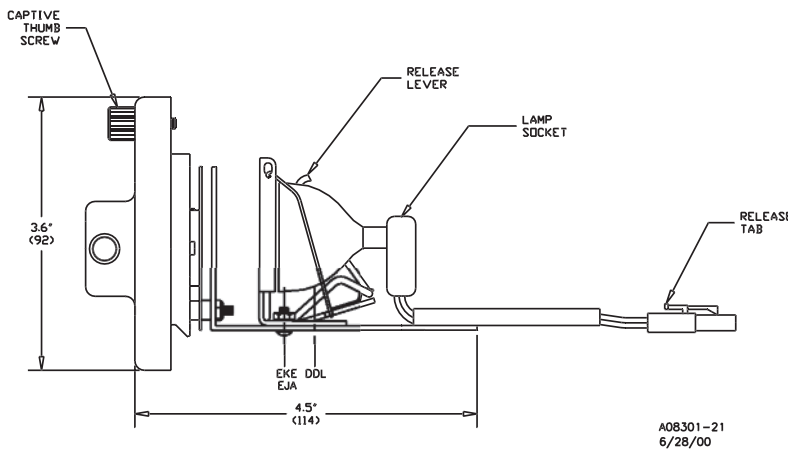
# ACE® Light Source

Dimensions in ( ) are in mm

Product improvements may result in specification or feature changes without notice.



Input: 115 VAC/60 Hz, 230 VAC/50/60 Hz, Output: 0-21 VAC



**Modulamp®... SCHOTT Innovation!**  
Two positions optimize light intensity output, depending on the lamp in use. Entire housing is interchangeable for quick setup.

**Choice of Lamps.. SCHOTT Versatility!** Three different bulbs (EJA, EKE, DDL) offer light intensity and color temperature options to maximize productivity and accuracy.

**Solid State Dimmer..SCHOTT Control!** Continuous intensity control for lamp life management.

Lighting and Imaging

**SCHOTT North America, Inc.**

122 Charlton Street

Southbridge, MA 01550

USA

Phone: +1508/765-9744

Fax: +1508/764-6273

E-mail: [lightingimaging@us.schott.com](mailto:lightingimaging@us.schott.com)

[www.us.schott.com/lightingimaging](http://www.us.schott.com/lightingimaging)

**SCHOTT**  
glass made of ideas