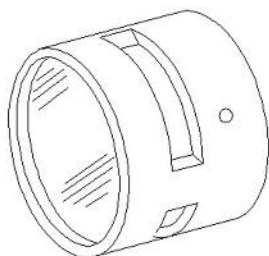




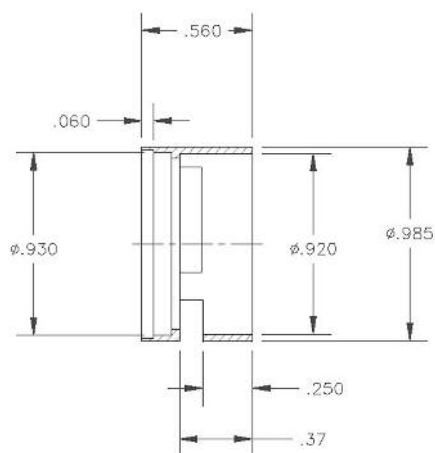
8" x 8" Backlight, A08927



Dual 2" x 2" Backlight, A08922



IR Filter A08921 with measurements



Single and Dual Backlights

Patented SCHOTT Backlights are calibrated to provide bright, even illumination for Microscopy and Machine Vision applications

Features

- Calibrated with DDL-bulb from ± 13 to ± 15 gray scale levels at a mean of 200, gamma setting of 1.0, using a patented process to create diffuse, uniform illumination within the active area. Uniformity scans are available upon request.
- The white acrylic diffuser plate provides the optimum combination of uniformity and intensity. The backlight housing is made of rugged, black anodized aluminum. The plastic fiber bundle is protected with flexible PVC covered metal tubing.
- Use with strobes and ColdVision Series light sources. Other sources, particularly those without an IR filter, may damage the plastic fibers.
- ColdVision dichroic color filters can be used on the products in conjunction with the A08931 backlight color filter adapter (see photo to left). More details can also be found in the Fiber Optic Accessory section of the product catalog.
- IR - Filter in every unit

Advantages

- Compact, low profile housing fits in small spaces.
- Can be used to create a crisp edge definition, or soft, diffuse incident light.
- Dual and quad backlights increase lighting versatility. Additional combinations and sizes can be custom ordered

Backlights					
Part No.	Active Area	Housing Dimensions	Gray Scales	Bundle Length	Common Bundle Length
Single Configuration					
A08920	2" x 2" (51 x 51)	4" x 2.6" x .59" (102 x 66 x 14.9)	± 13	40" (1016)	N/A
A08923	3" x 3" (76 x 76)	6" x 3.5" x .75" (152 x 89 x 16)	± 13	40" (1016)	N/A
A08925	4" x 4.88" (102 x 124)	9" x 5" x .78" (229 x 127 x 19.7)	± 13	40" (1016)	N/A
A08927	8" x 8" (203 x 203)	12" x 9" x 1" (305 x 229 x 25.4)	± 15	40" (1016)	N/A
Dual Configuration					
A08922	2" x 2" (51 x 51)	4" x 2.6" x .59" (102 x 66 x 14.9)	± 13	42" (1067)	10" (254)
A08926	4" X 4.88" (102 X 124)	9" X 5" X .78" (229 X 127 X 19.7)	± 13	37" (940)	10" (254)

Single and Dual Backlights

Dimensions in () are in mm

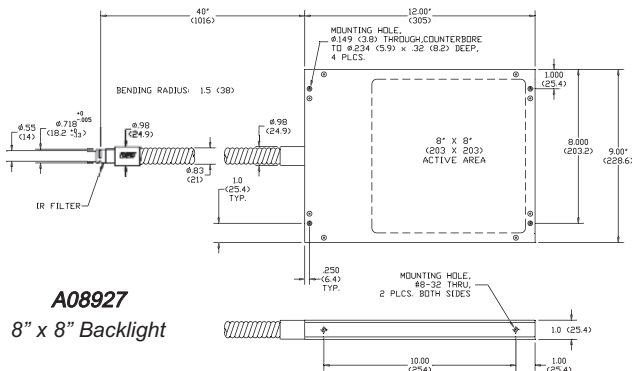
Input: Black Anodized Aluminum

Bundle Sheathing: PVC Covered Metal Tubing

Max Fiber Temperature: 70°

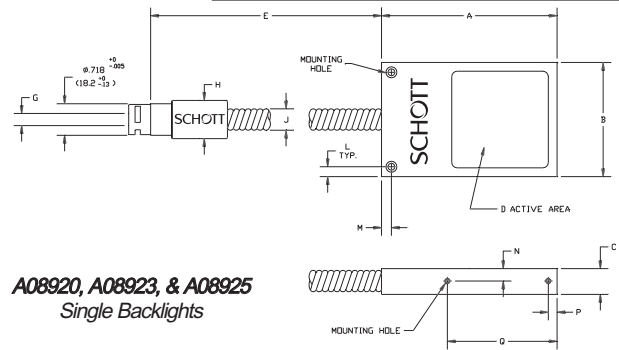
Product improvements may result in specification or feature changes without notice.

Warning: The IR filter on the input protects the fibers from damage caused by IR absorption.



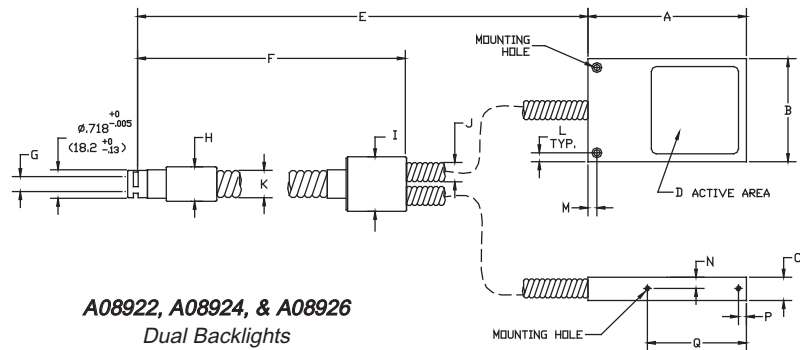
A08927

8" x 8" Backlight



A08920, A08923, & A08925
Single Backlights

Matrix for Single and Dual Backlights			
Part No.	Housing Dimensions LX W X H	Active Area	Overall Bundle Length
Ref. Letter	A, B, C	D	E
A08920	4" x 2.6" x .59" (102x66x14.9)	2" x 2" (51x51)	40" (1016)
A08922	4" x 2.6" x .59" (102x66x14.9)	2" x 2" (51x51)	42" (1067)
A08923	6" x 3.5" x .75" (152x89x19.1)	3" x 3" (76x76)	40" (1016)
A08924	6" x 3.5" x .75" (152x89x15.9)	3" x 3" (76x76)	40" (1016)
A08925	9" x 5" x .78" (229x127x19.7)	4" x 4.88" (102x124)	37" (940)
A08926	9" x 5" x .78" (229x127x19.8)	4" x 4.88" (102x124)	37" (940)



A08922, A08924, & A08926
Dual Backlights

Matrix for Single and Dual Backlights (Continuation)										
Part No.	Common Bundle Length	Active Input Dia.	Ferrule Dia	Coupler Dia	Tubing Dia	Top Mounting Hole Location	Top Mounting Hole Dimensions	Side Mounting Hole Location	Side Mounting Hole Dimensions	Bend Radius
Ref. Letter	F	G	H	I	JK	L/M	THRU/DIA/C'BORE DIA/DEPTH	N/P/Q	THREAD/DEPTH	
A08920	N/A	.28" (7.0)	.87" (22.1)	N/A	.47" (12)	.225"/.225" (5.72/5.72)	.156"/.25"/.150" (4.0/6.4/3.8)	28"/.20"/2.50" (7.2/5.1/63.5)	#4-40 UNC 2A/.38 (9.6)	.6" (15)
A08922	10" (254)	.39" (9.9)	.87" (22.1)	1.38" (34.9)	.47"/.67" (12/17)	.225"/.225" (5.72/5.72)	.156"/.25"/.150" (4.0/6.4/3.8)	28"/.20"/2.50" (7.16/5.1/63.5)	#4-40 UNC 2A/.38 (9.6)	.6"/1.2" (15)/(30)
A08923	N/A	.32" (8.1)	.87" (22.1)	N/A	.60" (15)	.187"/.187" (4.75/4.75)	.177"/.28"/.165" (4.5/7.1/4.2)	.32"/100"/5.00" (8.1/25.4/127)	#6-32/.25" (6.4)	1" (25)
A08925	N/A	.39" (9.9)	.87" (22.1)	N/A	.68" (17.3)	.425"/.425" (10.80/10.80)	.250"/.50"/.300" (6.4/12.7/7.6)	.36"/.20"/5.75" (9.1/5.08/151)	#6-32 UNC2A/.38 (9.6)	1" (25)
A08926	10" (254)	.55" (13.8)	.98" (24.9)	1.50" (38.1)	.68"/.83" (17/21)	.425"/.425" (10.80/10.80)	.250"/.50"/5.00" (6.4/12.7/7.6)	.36"/.20"/5.75" (9.1/5.08/146)	#6-32 UNC 2A/.38" (9.6)	1/1.5" (25)/(38)

Lighting and Imaging

SCHOTT North America, Inc.

122 Charlton Street

Southbridge, MA 01550

USA

Phone: +1508/765-9744

Fax: +1508/764-6273

E-mail: lightingimaging@us.schott.com

www.us.schott.com/lightingimaging

SCHOTT
glass made of ideas